

Proprietary data, company confidential.
All rights reserved

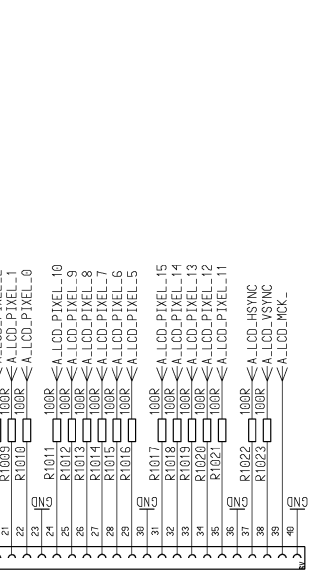
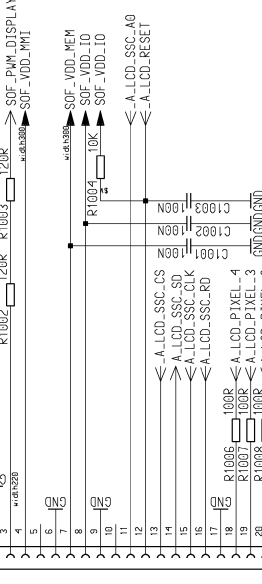
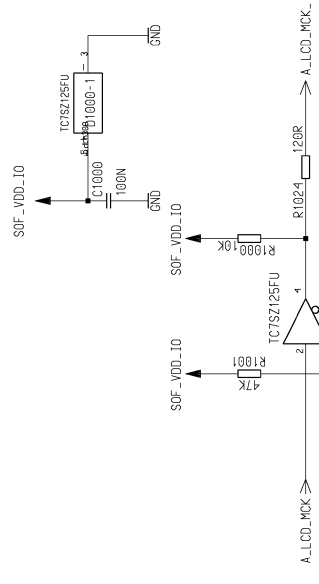
Als Betriebsgeheimnis anvertraut
Alle Rechte vorbehalten

C1000 /sheet1 3 B	D1000-1 /sheet1 4 B	R3009 /sheet3 15 F
C1001 /sheet1 3 D	D2002 /sheet2 7 F	R3010 /sheet3 13 A
C1002 /sheet1 3 D	D3000 /sheet3 2 F	R3011 /sheet3 9 G
C1003 /sheet1 3 D	D3001-2 /sheet3 12 A	R3012 /sheet3 14 F
C1004 /sheet1 3 C	D3001-1 /sheet3 15 A	R3013 /sheet3 2 B
C1200 /sheet1 6 F	D3003 /sheet3 7 G	R3014 /sheet3 2 C
C1201 /sheet1 6 F	D3004 /sheet3 4 G	R3015 /sheet3 2 G
C1202 /sheet1 6 F	D4000 /sheet4 3 C	R3016 /sheet3 2 G
C1203 /sheet1 6 F	D4001 /sheet4 7 D	R3017 /sheet3 2 G
C1204 /sheet1 7 F	L2001 /sheet2 10 C	R3018 /sheet3 2 G
C1205 /sheet1 7 F	L2002 /sheet2 5 C	R3019 /sheet3 8 A
C1206 /sheet1 7 F	R1000 /sheet1 3 C	R3020 /sheet3 8 A
C1207 /sheet1 7 F	R1001 /sheet1 2 C	R3021 /sheet3 9 F
C1208 /sheet1 7 F	R1002 /sheet1 3 D	R3022 /sheet3 10 G
C1209 /sheet1 7 F	R1003 /sheet1 3 D	R4000 /sheet4 2 A
C1210 /sheet1 8 F	R1004 /sheet1 3 D	R4002 /sheet4 7 C
C2000 /sheet2 6 B	R1005 /sheet1 2 C	R4003 /sheet4 8 A
C2001 /sheet2 9 B	R1006 /sheet1 2 E	R4004 /sheet4 8 A
C2002 /sheet2 6 B	R1007 /sheet1 2 E	R4005 /sheet4 9 A
C2003 /sheet2 9 B	R1008 /sheet1 2 E	R4006 /sheet4 9 B
C2004 /sheet2 6 C	R1009 /sheet1 2 E	R4007 /sheet4 9 B
C2005 /sheet2 6 C	R1010 /sheet1 2 E	R4008 /sheet4 9 B
C2006 /sheet2 9 F	R1011 /sheet1 2 E	R4009 /sheet4 9 B
C2007 /sheet2 5 C	R1012 /sheet1 2 E	R4010 /sheet4 9 C
C2008 /sheet2 6 C	R1013 /sheet1 2 E	R4011 /sheet4 9 C
C2009 /sheet2 12 C	R1014 /sheet1 2 E	TP1101 /sheet1 10 D
C2010 /sheet2 12 C	R1015 /sheet1 2 E	TP1102 /sheet1 10 D
C2011 /sheet2 12 C	R1016 /sheet1 2 E	TP1100 /sheet1 8 D
C2012 /sheet2 12 C	R1017 /sheet1 2 E	TP4100 /sheet4 2 E
C2013-2 /sheet2 13 C	R1018 /sheet1 2 F	TP3010 /sheet3 8 G
C2013-1 /sheet2 13 C	R1019 /sheet1 2 F	TP3009 /sheet3 5 G
C2014 /sheet2 13 C	R1020 /sheet1 2 F	TP3005 /sheet3 9 A
C2015 /sheet2 13 C	R1021 /sheet1 2 F	TP3008 /sheet3 2 B
C2016 /sheet2 5 D	R1022 /sheet1 2 F	TP3001 /sheet3 2 D
C2017 /sheet2 6 D	R1023 /sheet1 2 F	TP3002 /sheet3 2 D
C2018 /sheet2 9 D	R1024 /sheet1 4 C	TP3004 /sheet3 2 D
C2019 /sheet2 9 D	R1025 /sheet1 2 C	TP3006 /sheet3 7 A
C2020 /sheet2 10 D	R1100 /sheet1 8 C	TP3000 /sheet3 2 D
C2021 /sheet2 4 D	R1200 /sheet1 14 D	TP3007 /sheet3 2 B
C2022 /sheet2 4 D	R1201 /sheet1 6 F	TP3003 /sheet3 2 D
C2023 /sheet2 5 D	R1202 /sheet1 6 F	TP2005 /sheet2 11 B
C2024 /sheet2 8 C	R1203 /sheet1 6 F	TP2010 /sheet2 4 D
C2025 /sheet2 9 C	R1204 /sheet1 6 F	TP2002 /sheet2 11 C
C3000 /sheet3 2 A	R1205 /sheet1 6 G	TP2001 /sheet2 11 C
C3001 /sheet3 2 A	R1206 /sheet1 6 G	TP2009 /sheet2 10 D
C3002 /sheet3 2 B	R1207 /sheet1 6 G	TP2006 /sheet2 11 C
C3003 /sheet3 1 E	R1208 /sheet1 7 E	TP2007 /sheet2 11 C
C3004 /sheet3 1 E	R1209 /sheet1 7 E	TP2003 /sheet2 4 C
C3005 /sheet3 14 F	R1210 /sheet1 8 E	TP2000 /sheet2 11 C
C3006 /sheet3 14 G	R1211 /sheet1 7 E	TP2008 /sheet2 11 C
C3007 /sheet3 14 G	R1212 /sheet1 14 D	V1200 /sheet1 15 E
C3008 /sheet3 11 G	R1222 /sheet1 7 E	V1201 /sheet1 15 E
C3009 /sheet3 13 G	R2000 /sheet2 9 B	V1202 /sheet1 15 F
C3010 /sheet3 13 G	R2001 /sheet2 3 C	V1203 /sheet1 15 F
C3011 /sheet3 13 G	R2002 /sheet2 10 E	V1204 /sheet1 12 F
C3012 /sheet3 11 G	R2003 /sheet2 11 E	V2000 /sheet2 9 C
C3013 /sheet3 12 G	R2004 /sheet2 5 E	V2001 /sheet2 6 D
C3014 /sheet3 12 G	R2005 /sheet2 9 D	V2002 /sheet2 10 E
C3015 /sheet3 11 G	R2006 /sheet2 3 D	V2003 /sheet2 14 C
C3016 /sheet3 14 G	R2007 /sheet2 3 D	X1000 /sheet1 1 F
C3017 /sheet3 15 E	R2008 /sheet2 4 D	X1100 /sheet1 10 D
C3018 /sheet3 10 A	R2009 /sheet2 9 E	Z3000 /sheet3 2 A
C3019 /sheet3 1 G	R2010 /sheet2 6 D	Z3001 /sheet3 1 E
C3020 /sheet3 2 G	R2011 /sheet2 14 B	
C3021 /sheet3 5 G	R2012 /sheet2 12 C	
C3022 /sheet3 8 G	R2013 /sheet2 9 D	
C3023 /sheet3 15 A	R3000 /sheet3 2 A	
C3024 /sheet3 15 G	R3001 /sheet3 1 A	
C4000 /sheet4 4 A	R3002 /sheet3 10 A	
C4001 /sheet4 8 C	R3003 /sheet3 5 A	
C4002 /sheet4 4 B	R3004 /sheet3 2 B	
C4003 /sheet4 9 C	R3005 /sheet3 1 D	
C4004 /sheet4 6 C	R3006 /sheet3 2 D	
C4005 /sheet4 9 C	R3007 /sheet3 10 G	
D1000-2 /sheet1 2 C	R3008 /sheet3 12 A	

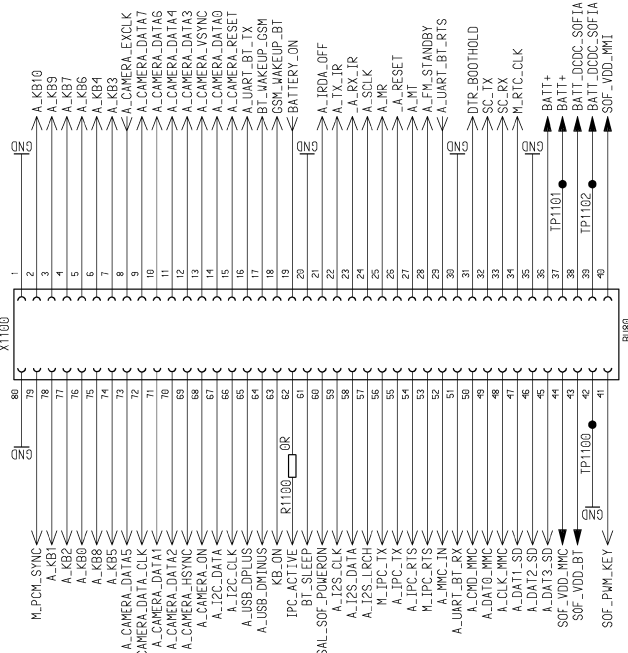
Confidential
Copyright © Siemens AG

				DATE	29.09.2002	K1 MMI B2.5 Assembly Variant TOP HIERARCHY LEVEL SCHEMATIC	1:1
9	8477	18.09.2003	pbn	USER	Peter Boelt		
8	7996	28.08.2003	pbn	APPR'D			
7	6396	17.06.2003	pbn				
6	6354	13.06.2003	pbn	MP UC RD ED AAL			
5	6091	03.06.2003	pbn			32406	poslist1
4	5730	18.05.2003	pbn	Siemens AG			
3	5346	30.04.2003	pbn				
VERS.	CHANGE NUMBER	DATE	NAME	(Created by BOM number: A5B00900110558-8477)			

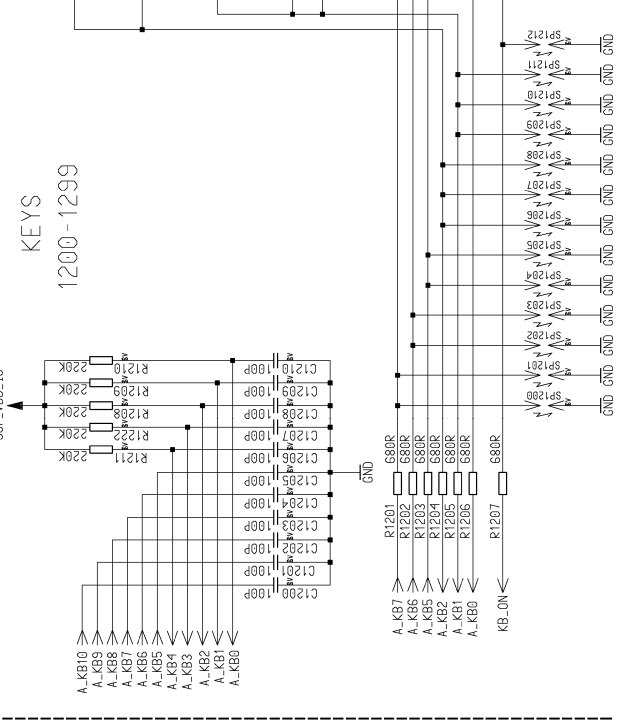
DISPLAY CONNECTOR
1000-1099



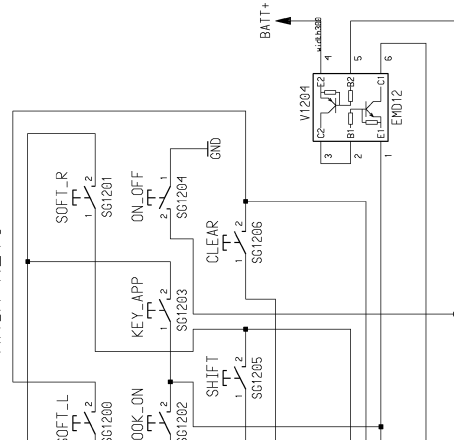
BOARD TO BOARD CONNECTOR
1100-1199



KEYS
1200-1299



MAIN KEYS



Confidential
Copyright © Siemens AG

DATE	29.09.2002	pln	USER	Peter Boesl
9	8477	18.09.2003	pln <td>APP'D</td>	APP'D
8	7955	28.08.2003	pln <td>APP'D</td>	APP'D
7	6395	17.06.2003	pln <td>APP'D</td>	APP'D
6	6354	13.06.2003	pln <td>APP'D</td>	APP'D
5	6351	03.06.2003	pln <td>APP'D</td>	APP'D
4	5159	18.05.2003	pln <td>APP'D</td>	APP'D
3	5346	30.04.2003	pln <td>APP'D</td>	APP'D
VERS. CHANGE NUMBER DATE				

K1 MMI B2_5
Assembly Variant
TOP HIERARCHY LEVEL
SCHEMATIC

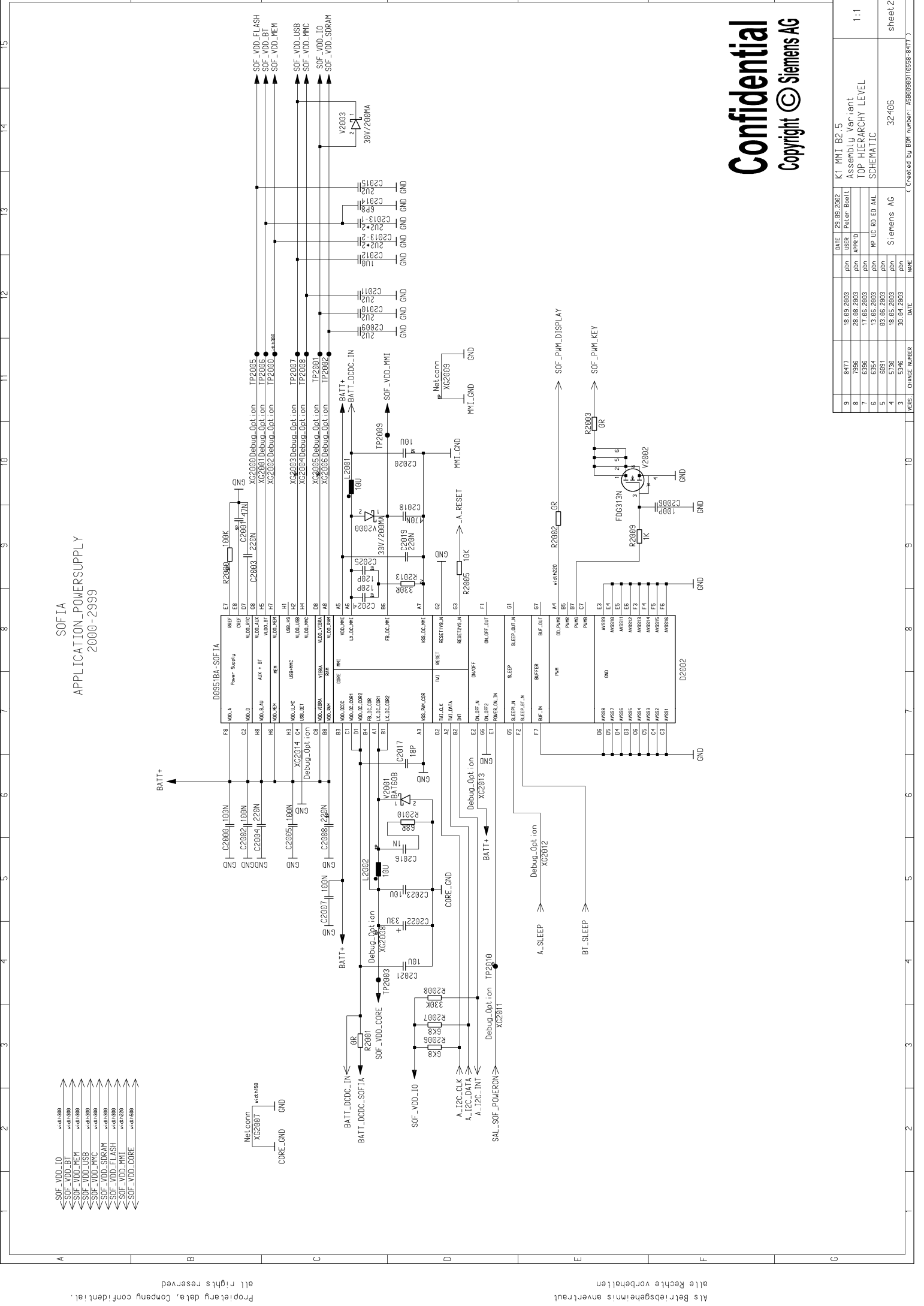
1:1

Siemens AG

32406

sheet 1

(Created by BOM number: A580980108559.8477)

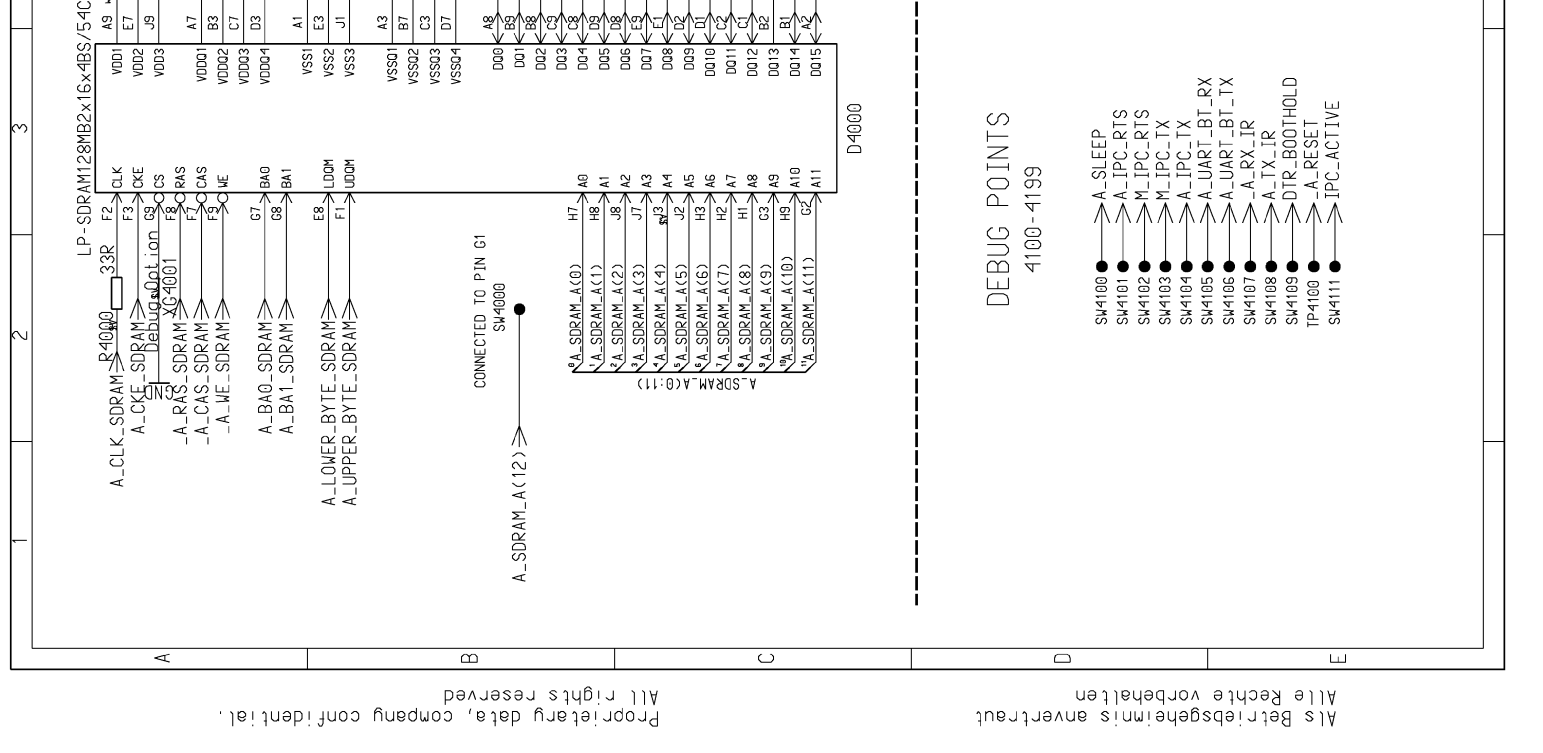
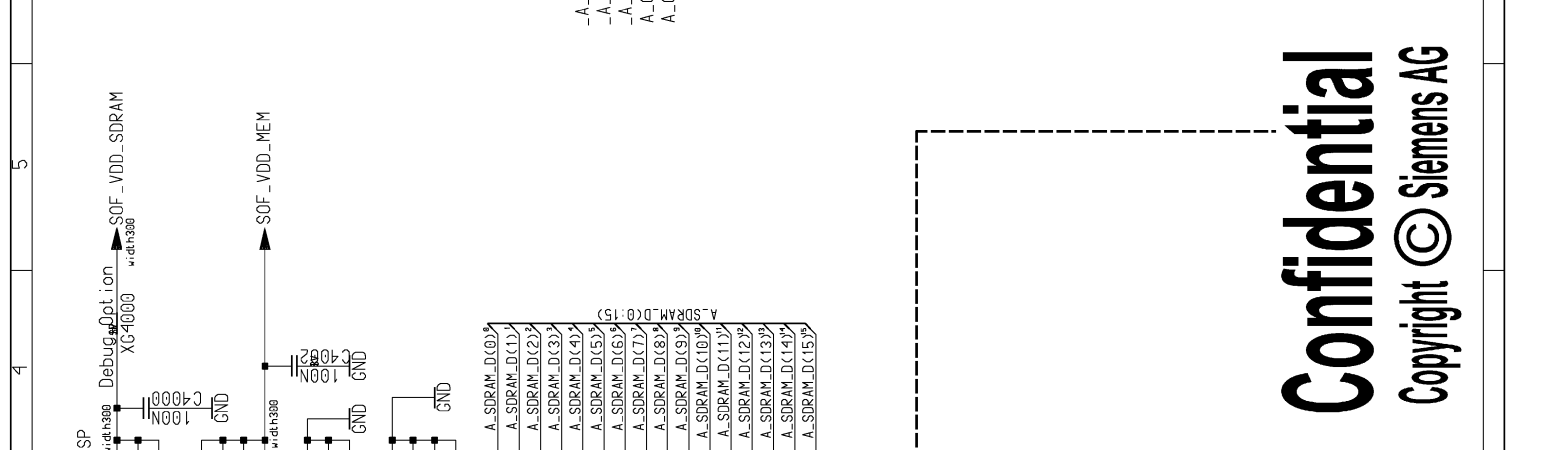
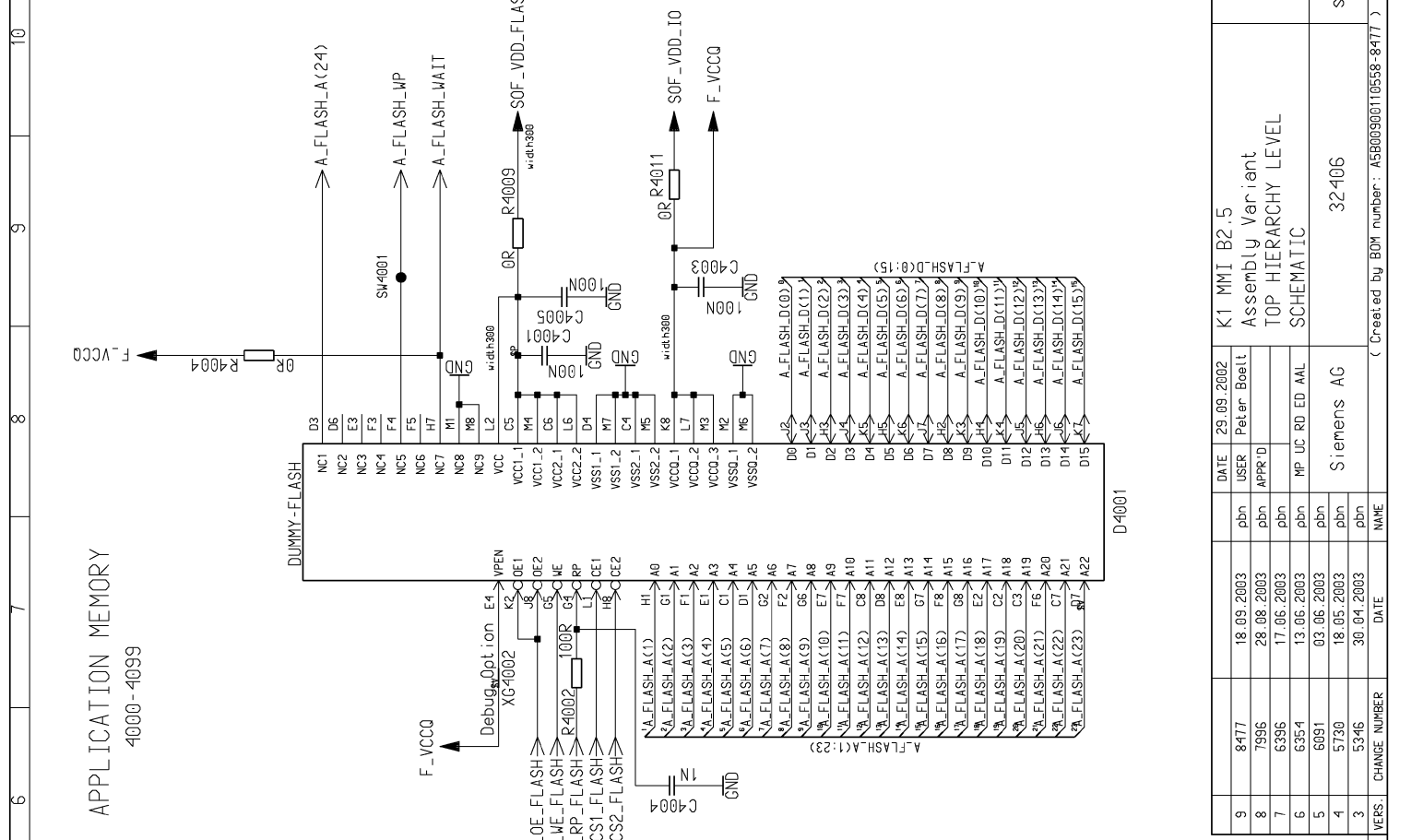


SOF1A
APPLICATION POWERSUPPLY
2000-2999

Confidential
Copyright © Siemens AG

DATE	USER	APP'D	NAME
29.09.2002	Peter BosLL		
18.09.2003	pbn		
8 8477			
9 7955			
28.08.2003	pbn		
7 6395			
17.06.2003	pbn		
6 6354			
13.06.2003	pbn		
5 6931			
03.06.2003	pbn		
3 5120			
18.05.2003	pbn		
4 5120			
30.04.2003	pbn		
3 5346			
23.04.2003	pbn		

DATE: 29.09.2002
 USER: Peter BosLL
 APP'D:
 MP: UC RD ED AAL
 Siemens AG
 K1 MMI B2-5
 Assembly Variant
 TOP HIERARCHY LEVEL
 SCHEMATIC
 1:1
 32406
 sheet2
 (Created by BOM number: A58099010859.8717)

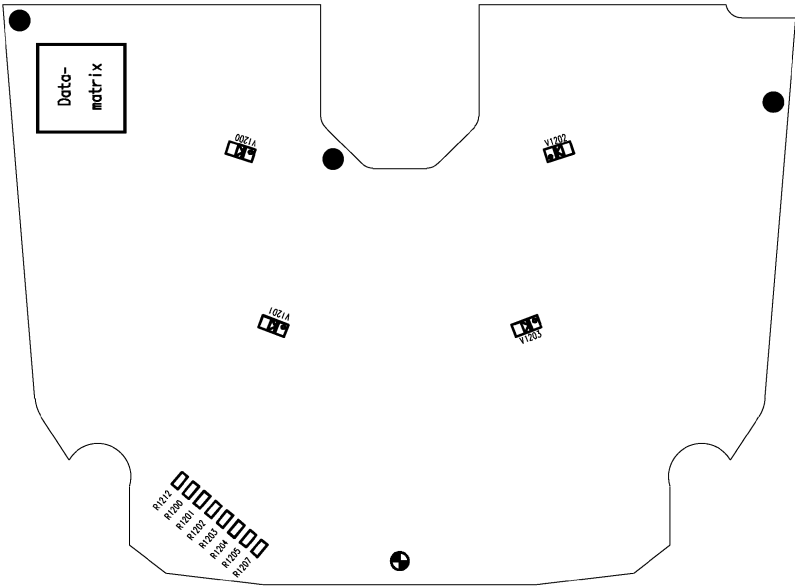


Confidential
Copyright © Siemens AG

- DEBUG POINTS
4100-4199
- SW4100 ● A_SLEEP
 - SW4101 ● A_IPC_RTS
 - SW4102 ● M_IPC_RTS
 - SW4103 ● M_IPC_TX
 - SW4104 ● A_IPC_TX
 - SW4105 ● A_UART_BT_RX
 - SW4106 ● A_UART_BT_TX
 - SW4107 ● A_RX_IR
 - SW4108 ● A_TX_IR
 - SW4109 ● DTR_BOOTHOLD
 - TP4100 ● A_RESET
 - SW4111 ● IPC_ACTIVE

Proprietary data, company confidential.
All rights reserved.
Alle Rechte vorbehalten

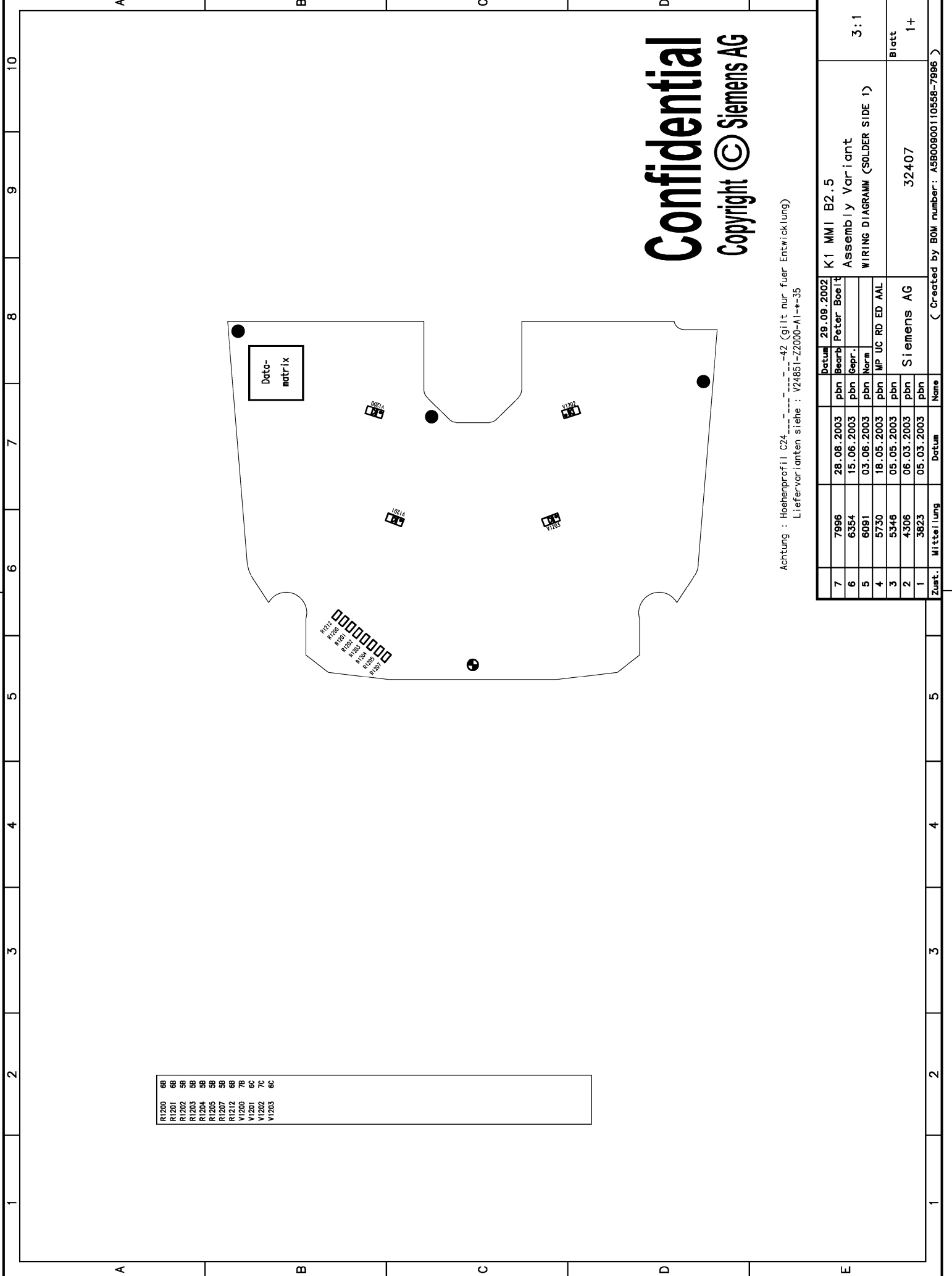
- R1200 68
- R1201 68
- R1202 58
- R1203 58
- R1204 58
- R1205 58
- R1207 58
- R1212 68
- V1200 78
- V1201 64
- V1202 74
- V1203 68



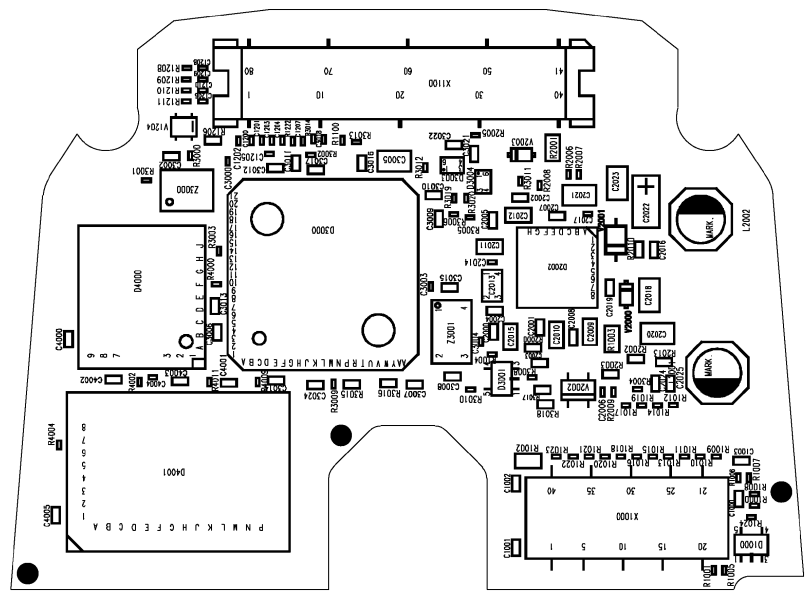
Confidential
 Copyright © Siemens AG

Achtung : Höhenprofil C24...42 (gilt nur fuer Entwicklung)
 Liefervarianten siehe : V24851-Z2000-A1-4-35

		29.09.2002		K1 MMI B2.5	
	Datum	Bearb.	Peter Boelt	Assembly Variant	
7	7996	28.08.2003	pbn	WIRING DIAGRAM (SOLDER SIDE 1)	
6	6354	15.06.2003	pbn	3:1	
5	6091	03.06.2003	pbn	Blatt	
4	5750	18.05.2003	pbn	1+	
3	5346	05.05.2003	pbn	Siemens AG	
2	4306	06.03.2003	pbn	32407	
1	3823	05.03.2003	pbn	Created by BOM number: A5B00900110558-7986	
Zust.	Mitteilung	Datum	Name		



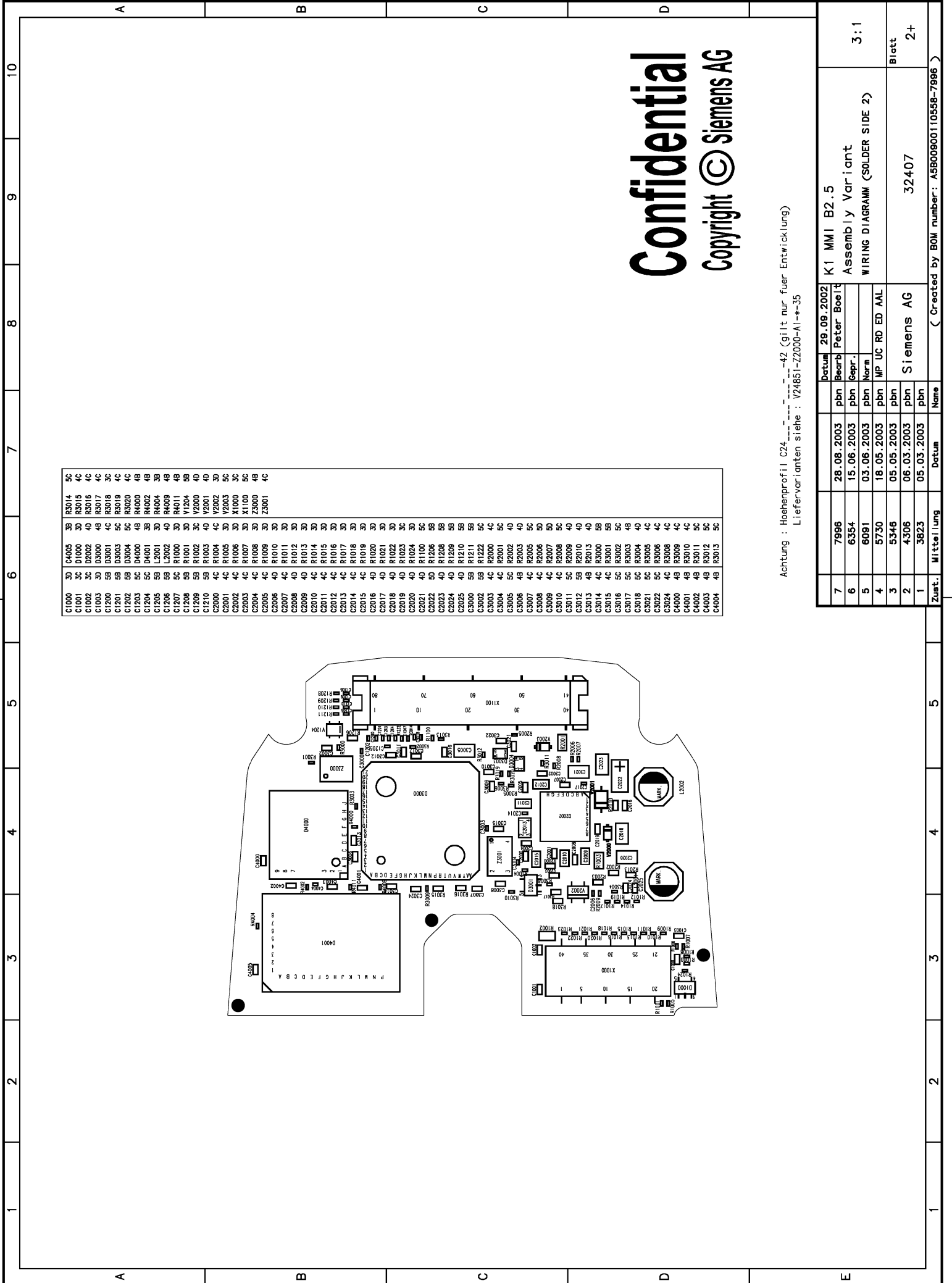
C1000	3D	C4005	3B	R3014	5C
C1001	3C	D1000	3D	R3015	4C
C1002	3C	D2002	4D	R3016	4C
C1003	3D	D3000	4B	R3017	4C
C1200	5B	D3001	4C	R3018	3C
C1201	5B	D3003	5C	R3019	4C
C1202	5B	D3004	5C	R3020	4C
C1203	5C	D4000	4B	R4000	4B
C1204	5C	D4001	3B	R4002	4B
C1205	5B	L2001	3D	R4004	3B
C1206	5B	L2002	4D	R4009	4B
C1207	5C	R1000	3D	R4011	4B
C1208	5B	R1001	3D	V1204	5B
C1210	5B	R1003	4D	V2001	4D
C2000	4C	R1004	4C	V2002	3D
C2001	4C	R1005	3D	V2003	5C
C2002	4C	R1006	3D	X1000	3C
C2003	4C	R1007	3D	X1100	5C
C2004	4C	R1008	3D	Z3000	4B
C2005	4C	R1009	3D	Z3001	4C
C2006	4C	R1010	3D		
C2007	4C	R1011	3D		
C2008	4D	R1012	3D		
C2009	4D	R1013	3D		
C2010	4C	R1014	3D		
C2011	4C	R1015	3D		
C2012	4C	R1016	3D		
C2013	4C	R1017	3D		
C2014	4C	R1018	3D		
C2015	4C	R1019	3D		
C2016	4D	R1020	3D		
C2017	4D	R1021	3D		
C2018	4D	R1022	3D		
C2019	4D	R1023	3C		
C2020	4D	R1024	3D		
C2021	4D	R1100	5C		
C2022	5D	R1206	5B		
C2023	4D	R1208	5B		
C2024	4D	R1209	5B		
C2025	4D	R1210	5B		
C3000	5B	R1211	5B		
C3002	5B	R1222	5C		
C3003	4C	R2000	4C		
C3004	4C	R2001	5C		
C3005	5C	R2002	4D		
C3006	4B	R2003	4D		
C3007	4B	R2005	5D		
C3008	4C	R2006	5D		
C3009	4C	R2007	5D		
C3010	4C	R2008	5C		
C3011	5C	R2009	4D		
C3012	5B	R2010	4D		
C3013	4B	R2013	4D		
C3014	4C	R3000	5B		
C3015	4C	R3001	5B		
C3016	5C	R3002	5C		
C3017	5C	R3003	4B		
C3018	5C	R3004	4D		
C3021	5C	R3005	4C		
C3022	5C	R3006	4C		
C3024	4C	R3008	4C		
C4000	4B	R3009	4C		
C4001	4B	R3010	4C		
C4002	4B	R3011	4C		
C4003	4B	R3012	5C		
C4004	4B	R3013	5C		



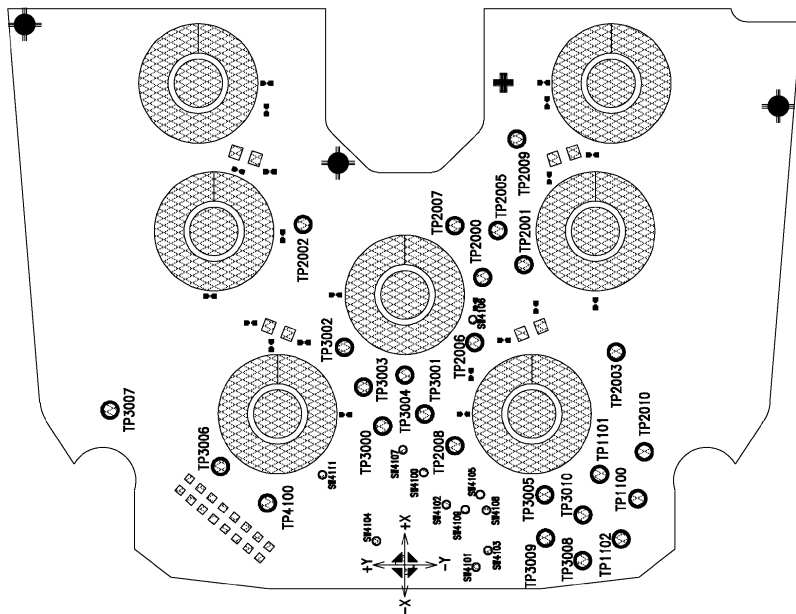
Confidential
Copyright © Siemens AG

Achtung : Höhenprofil C24...42 (gilt nur fuer Entwicklung)
Liefervarianten siehe : V24851-Z2000-A1-4-35

7	7996	28.08.2003	pbn	29.09.2002	Datum
6	6354	15.06.2003	pbn	Peter Boelt	Beerb
5	6091	03.06.2003	pbn	Gepr.	Norm
4	5750	18.05.2003	pbn	MP UC RD ED AAL	MP UC RD ED AAL
3	5346	05.05.2003	pbn	Siemens AG	Siemens AG
2	4306	06.03.2003	pbn	32407	Blatt
1	3823	05.03.2003	pbn	(Created by BOM number: A5800900110558-7996)	2+



- TP1100 6D
- TP1101 6D
- TP1102 5D
- TP2000 7C
- TP2001 7C
- TP2002 7C
- TP2003 6D
- TP2005 7C
- TP2006 6C
- TP2007 7C
- TP2008 6C
- TP2009 7C
- TP2010 6D
- TP3000 6C
- TP3001 6C
- TP3002 6C
- TP3003 6C
- TP3004 6C
- TP3005 6C
- TP3006 6B
- TP3007 6B
- TP3008 5D
- TP3009 5C
- TP3010 6D
- TP4100 6C



Confidential
 Copyright © Siemens AG

K1 MMI B2.5
 Assembly Variant
 TESTPOINT DIAGRAM (SIDE 1)

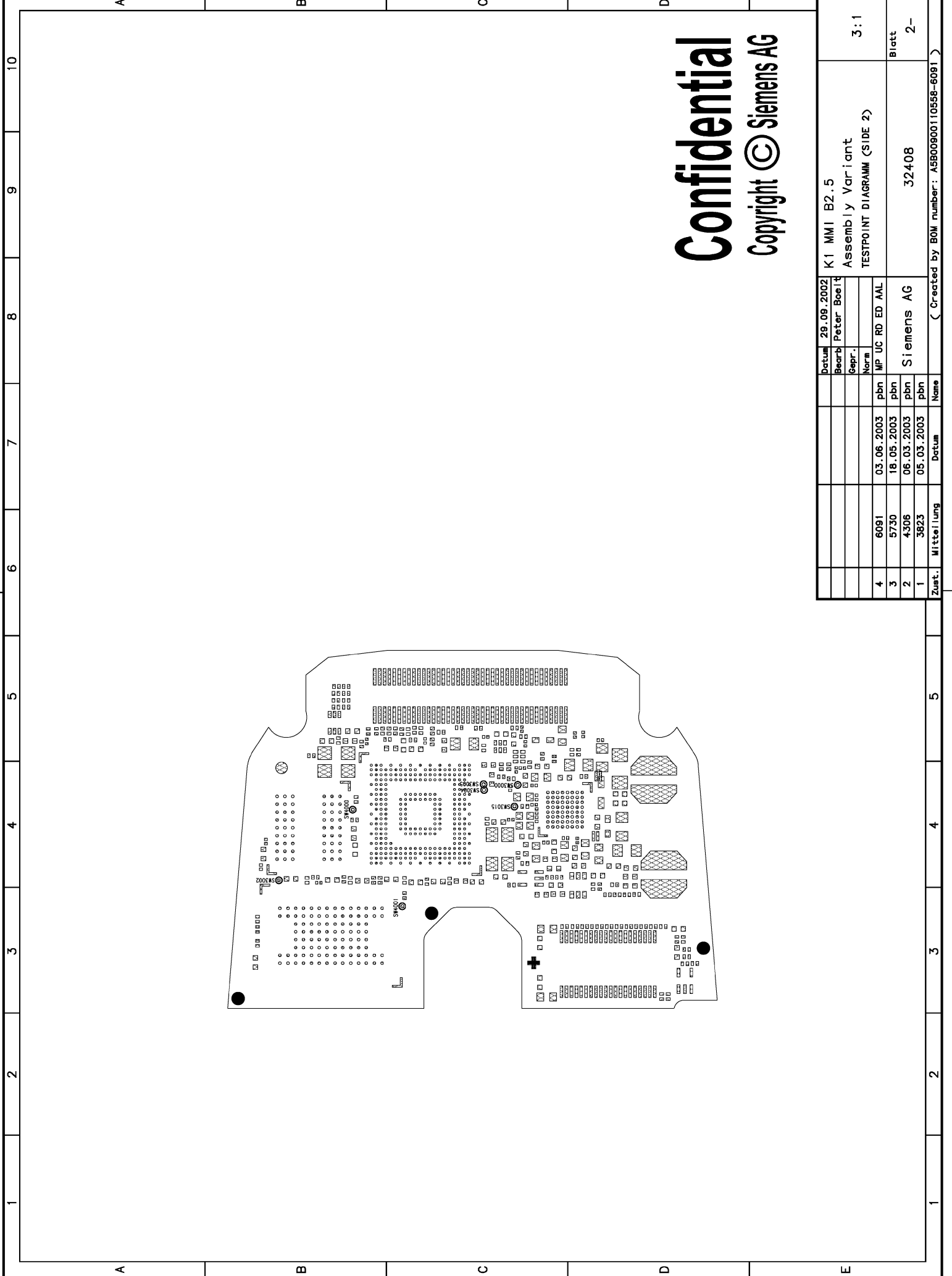
3:1

Zust.	Mitteilung	Datum	Name
4	6091	03.06.2003	pbn
3	5730	18.05.2003	pbn
2	4306	06.03.2003	pbn
1	3823	05.03.2003	pbn

Datum: 29.09.2002
 Bearb. Peter Boelt
 Gepr. Norm
 MP UC RD ED AAL

Siemens AG
 32408
 Blatt
 1+

Created by BOM number: A5B00900110558-6091



Confidential
 Copyright © Siemens AG

		Datum	29.09.2002	K1 MMI B2.5	3:1
		Bearb.	Peter Boelt	Assembly Variant	
		Gepr.		TESTPOINT DIAGRAM (SIDE 2)	
		Norm			
4	6091	03.06.2003	pbn	MP UC RD ED AAL	
3	5730	18.05.2003	pbn		Blatt
2	4306	06.03.2003	pbn		2-
1	3823	05.03.2003	pbn	Siemens AG	
Zust.	Mitteilung	Datum	Name	32408	
(Created by BOM number: A5B00900110558-6091)					